

20.06. Stream Bridge L250cm

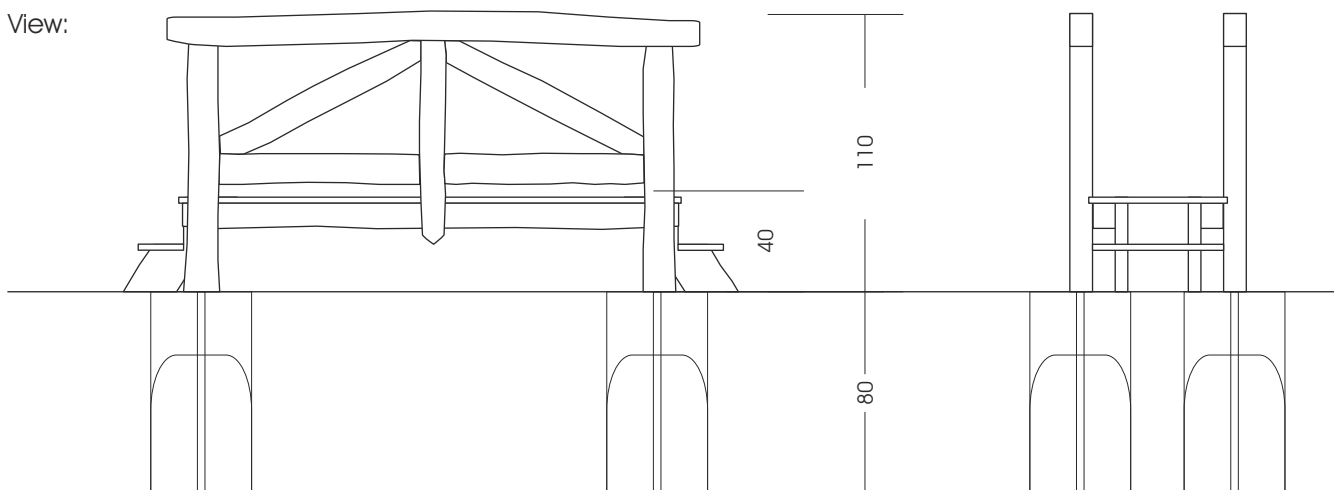
All measures in cm (if not other stated).

M 1:30

Foundations need to be made after the production of our playgrounds due to the fact that we cannot guarantee information of the wood due to its irregular growth habits. Technical changes reserved. Please check the measures when our goods arrive. Our goods meet the standards of DIN 1176. For delivery is the offer text relevant.

Measures total:	approx. 250 x 70 x 110 cm (L, W, H)
Fall area:	During installation of bridges in the nearby playground it has to be expected that this will be climbed and played. Possible fall area of 150 cm.
Foundation:	4 units 40 x 40 x 80 cm (L, W, D)
Assembly and installation:	2 people approx. 4 hrs.
Weight:	in total approx. 300 kg

View:



Top View:

