

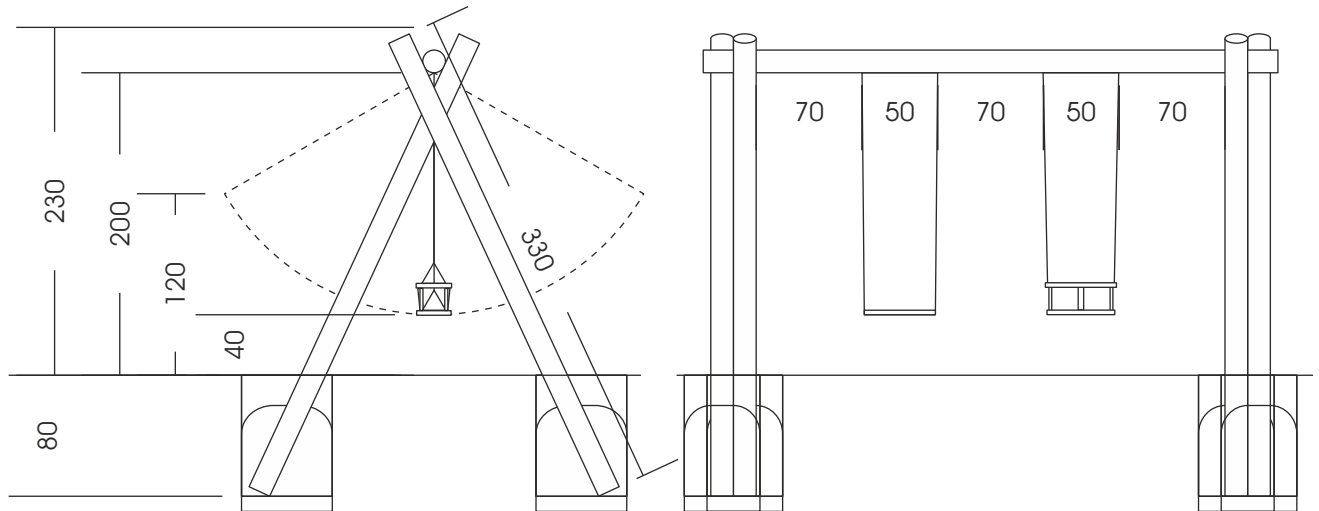
1.03. Double Swing Soft seat - Toddler seat 200

M 1:50

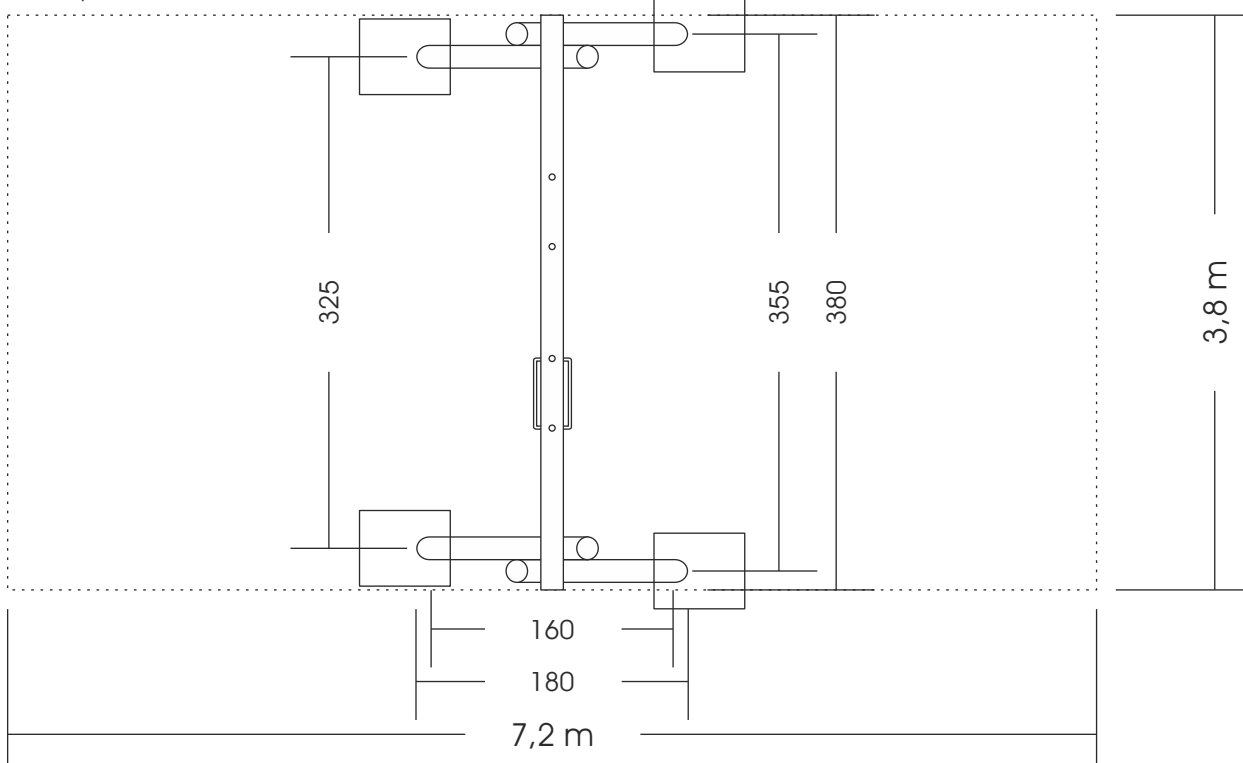
Foundations need to be made after the production of our playgrounds due to the fact that we cannot guarantee information of the wood due to its irregular growth habits. Technical changes reserved. Please check the measures when our goods arrive. Our goods meet the standards of DIN EN 1176. For delivery is the offer text relevant.

Measures total:	approx. 380 x 180 x 230 (310) cm (L, W, H [H with depth below ground])
Fall area:	approx. 7,2 x 3,8 m*
Protective surface:	sand, gravel, wooden chaffs
Foundation:	4 units each 60 x 50 x 80 cm (L, W, Depth) each + 10 cm drainage-fine gravel layer
Assembly and installation:	2 people / approx. 3 hours
Weight:	in total approx. 220 kg

View:



Top View:



*"Caution! Fences should have a distance of at least 1.5m from the lateral edge of the swing seat and 1.5m from the landing area in swinging direction according to a risk assessment. (DIN-EN 1176-2:2017-12 Appendix A)"