

## 23.15. Fire Brigade Jeep

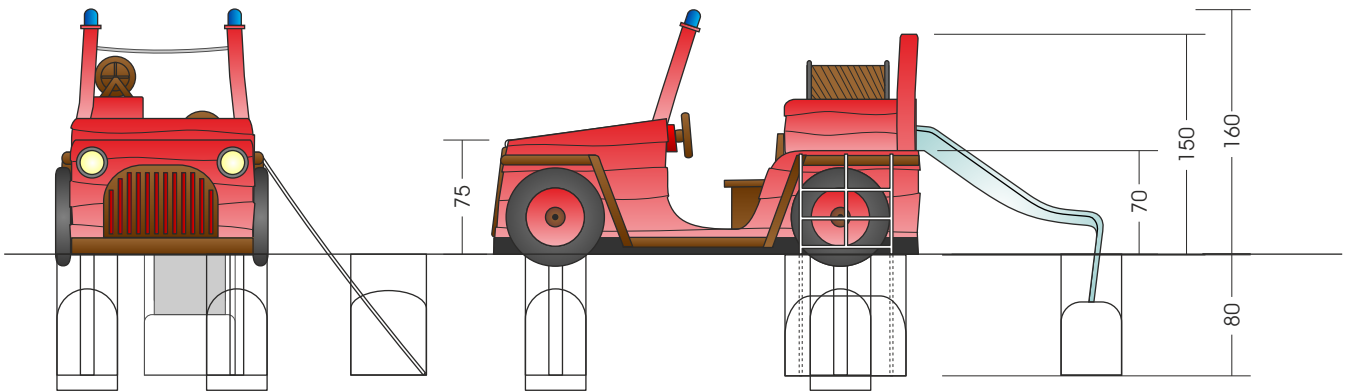
All measures in cm (if not other stated).

M 1:50

Foundations need to be made after the production of our playgrounds due to the fact that we cannot guarantee information of the wood due to its irregular growth habits. Technical changes reserved. Please check the measures when our goods arrive. Our goods meet the standards of DIN 1176. For delivery is the offer text relevant.

Measures total	approx. 400 x 190 x 160 (240) cm (L, W, H [H with depth below ground])
Fall area:	approx. 7,5 x 4,9 m For safety reasons do not align slides towards south! (heat build-up due to solar radiation)
Protective surface:	Top soil, gras
Foundation:	4 units 40 x 40 x 80 cm (L, W, D) each + 10cm drainage-fine gravel layer 1 unit 60 x 40 x 80 cm (L, W, D), 1 unit 80 x 50 x 80 cm (L, W, D)
Assembly and installation:	2 Pers./approx. 6 hrs.
Weight:	approx. 500 kg total
Designed for the age of:	3 years +

View:



Top view:

