

## 4.04.04. Spring Boat "Life Boat"

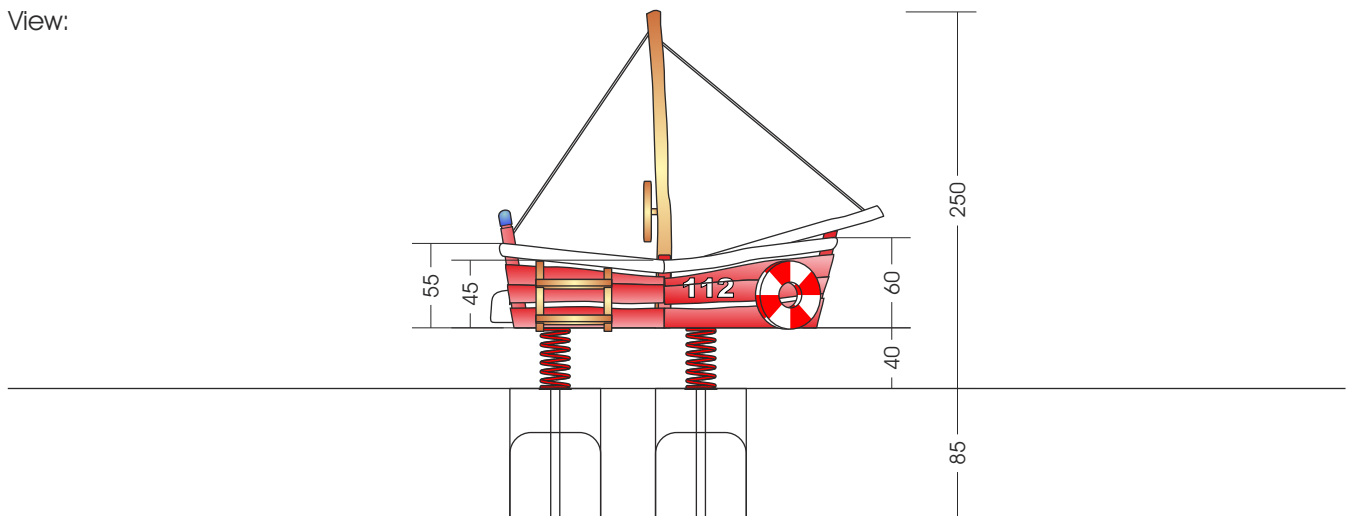
All measures in cm (if not other stated).

M 1:50

Foundations need to be made after the production of our playgrounds due to the fact that we cannot guarantee information of the wood due to its irregular growth habits. Technical changes reserved. Please check the measures when our goods arrive. Our goods meet the standards of DIN 1176. For delivery is the offer text relevant.

|                            |  |
|----------------------------|--|
| Measures total:            | approx. 265 x 105 x 250 (335) cm (L, W, H [H with depth below ground]) |
| Fall area:                 | approx. 5,6 x 4,0 m  |
| Protective surface:        | top soil, gras   |
| Foundation:                | 2 units 80 x 60 x 85 cm (L, W, D) each                                 |
| Assembly and installation: | 2 people / approx. 3 hrs   |
| Weight:                    | in total approx. 300 kg  |
| Intended age group:        | from approx. 3 years of age on   |

View:



Top view:

